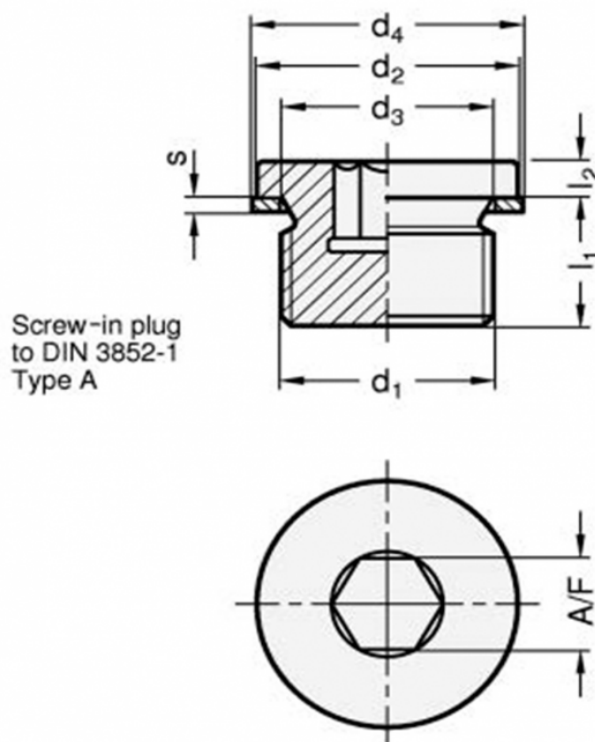


Article number: 20908STG12A

Description: E+G Threaded plug DIN 908-ST-G1/2-A

Measures



A/F = 10

d_1 = G1/2

d_2 = 26

d_3 = 21.3

d_4 = 26

l_1 = 14

l_2 = 4

s = 1.5

Weight in (g) = 41